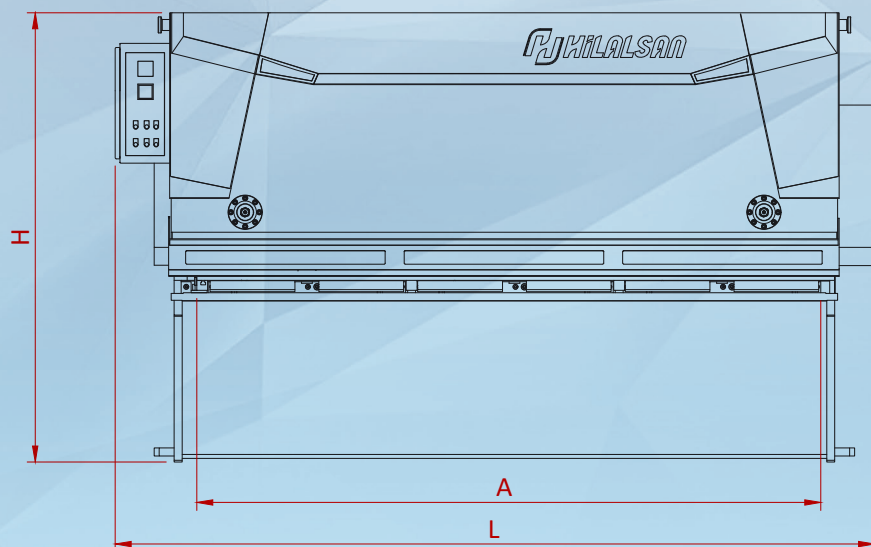


FORCE SERIES

Machine Type	Cutting Length	Cutting Capacity		Number of stroke (No-load)	Cutting Angle	Number of Hold-downs	Backgauge course	Backgauge Speed	Motor Power
		MS (450N/mm ²)	SS (700 N/mm ²)						
	mm A	mm	mm	1/dak	Degree	Adet	mm	mm/sn	Kw
EGM-2006	2080	6	4	24	2	9	1000	100	11
EGM-2010	2080	10	6	19	2	10	1000	100	22
EGM-2506	2580	6	4	22	2	11	1000	100	11
EGM-3006	3080	6	4	21	2	13	1000	100	11
EGM-3008	3080	8	5	18	2	14	1000	100	18,5
EGM-3010	3080	10	6	17	2	17	1000	100	22
EGM-3013	3080	13	8	15	2,3	15	1000	100	30
EGM-4006	4080	6	4	20	2	18	1000	100	11
EGM-4010	4080	10	6	16	2	20	1000	100	22
EGM-4013	4080	13	8	13	2,3	18	1000	100	30

HILALSAN has right to change catalogue values and machine technical details without notice. Misprints are not restrictive.



Oil Capacity	Throat depth	Front Arms	Table height	Length	Width	Total Width	Height	Approximate Weight
Lt	mm	Units	mm	mm	mm	mm	mm	mm
	D		C	L	W	W1	H	Kg
160	150	2	800	2850	2120	2770	1900	4650
350	150	2	850	2900	2200	2940	2190	7900
160	150	3	850	3350	2130	2780	1900	5950
160	150	3	850	3900	2130	2780	2200	7250
350	150	3	900	3900	2230	2910	2110	8700
350	150	3	900	3900	2240	2920	2300	10500
350	150	3	900	3950	2260	2960	2350	12850
350	150	4	900	4950	2160	2820	2300	10750
350	150	4	900	4950	2280	3000	2400	15500
350	150	4	900	4950	2310	3020	2550	18400

